



FF-030PK

OUTPUT: APPROX 0.05~2W

Precious metal-brush motors

代表的用途: 血压计、减速箱

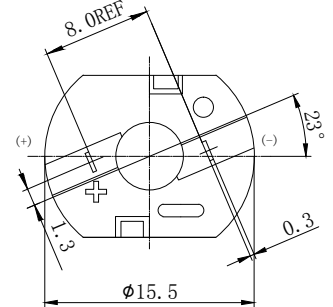
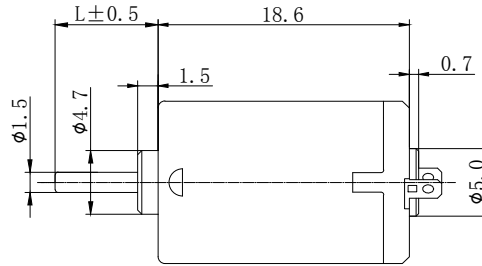
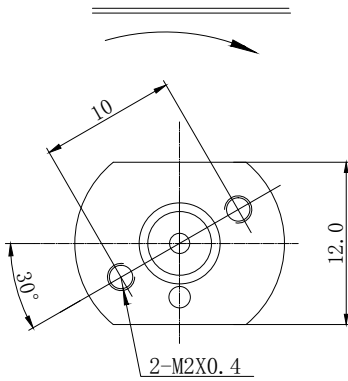
Sphygmomanometer



MODEL	VOLTAGE		NO LOAD		AT MAXIMUM EFFICIENCY				STALL	
	OPERATING RANGE	NOMINAL	SPEED r/min	CURRENT A	SPEED r/min	CURRENT A	TORQUE mN.m	OUTPUT W	TORQUE g.cm	CURRENT A
FF-030PK-12135	1-4V	3.0V	10500	0.064	8411	0.23	0.411	0.36	19.3	0.833
FF-030PK-07300	1-6V	5.0V	7700	0.027	5657	0.075	0.30	0.15	11.3	0.206

UNIT: MILLIMETERS

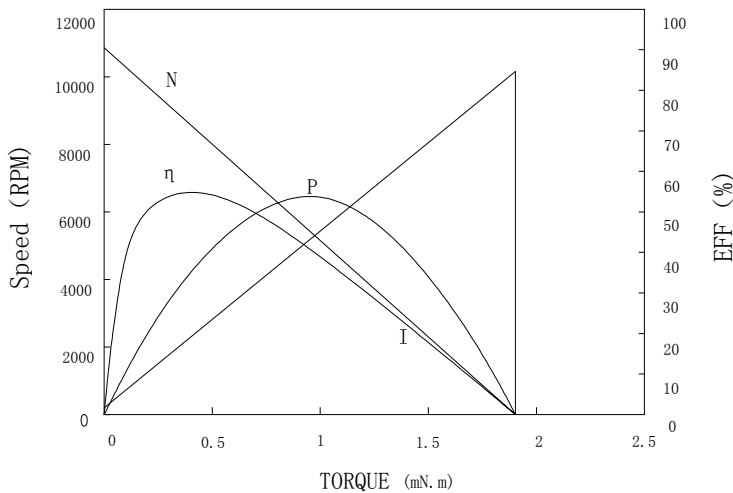
旋转方向
Direction Of Rotation



WEIGHT: 10g (APPROX)

FF-030PK-12135

3.0V



At No Load

Speed: 10742 RPM
Current: 0.064 AMPS

At stall (Extrapolated)

Torque: 1.89 mN.m
Current: 0.833 AMPS

At maximum efficiency

Efficiency: 52.2 %
Torque: 0.411 mN.m
Speed: 8410 RPM
Current: 0.231 AMPS
Output: 0.36 Watts

At maximum Power output

Output: 0.532 Watts
Torque: 0.946 mN.m
Speed: 6265 RPM
Current: 0.38 AMPS

Characteristics

Torque constant K_t : 2.462 mN.m/APM
E. M. F. constant E_c : 2.462 mV/rad/sec
Dynamic resistance: 3.6029 Ohms
Motor regulation M_r : 5675.46 RPM/mN.m