



RF/RK-370CA/SH

OUTPUT: APPROX 0.1~4.5W

Precious metal/Carbon-brush motors

代表的用途: 打卡机、打印机、复印机
光盘复印机、血压计、

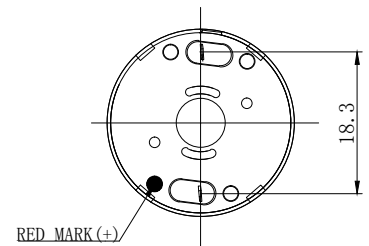
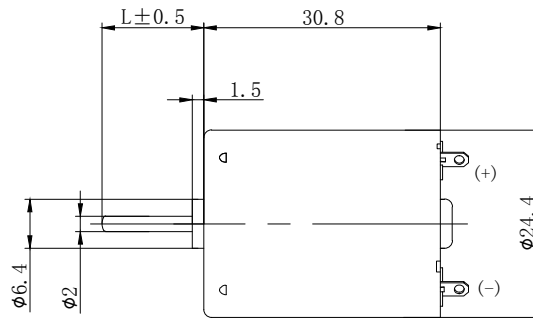
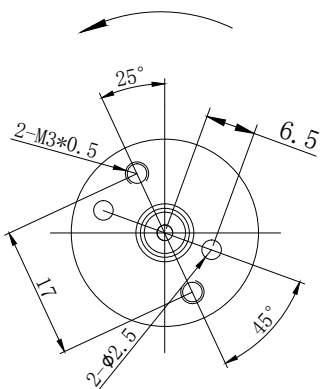
Punch machine Printer Copier
CD player Sphygmomanometer



MODEL	VOLTAGE		NO LOAD		AT MAXIMUM EFFICIENCY				STALL	
	OPERATING RANGE	NOMINAL	SPEED	CURRENT	SPEED	CURRENT	TORQUE	OUTPUT	TORQUE	CURRENT
			r/min	A	r/min	A	mN.m	W	g.cm	A
RF-370CA-22170	3-6V	6.0V	6000	0.041	5263	0.273	2.37	1.18	186	1.82
RF-370CA-12560	8-12V	12.0V	3700	0.012	3030	0.066	1.96	0.60	130	0.37
RF-370CA-15370	8-12V	12.0V	5600	0.020	4876	0.123	2.14	1.03	175	0.85

UNIT: MILLIMETERS

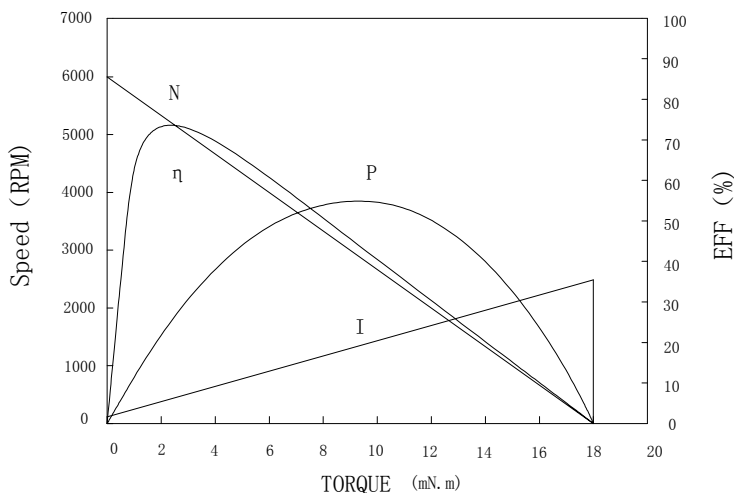
旋转方向
Direction Of Rotation



WEIGHT: 48g (APPROX)

RF-370CA-22170

6.0V



At No Load

Speed: 6052 RPM
Current: 0.041 AMPS

At stall (Extrapolated)

Torque: 18.18 mN.m
Current: 1.822 AMPS

At maximum efficiency

Efficiency: 72.2 %
Torque: 2.371 mN.m
Speed: 5263 RPM
Current: 0.273 AMPS
Output: 1.18 Watts

At maximum Power output

Output: 2.611 Watts
Torque: 9.090 mN.m
Speed: 3165 RPM
Current: 0.89 AMPS

Characteristics

Torque constant K_t : 10.208 mN.m/APM
E. M. F. constant E_c : 10.208 mV/rad/sec
Dynamic resistance: 3.2934 Ohms
Motor regulation M_r : 332.91 RPM/mN.m