



RS-380/385SM

OUTPUT: APPROX 1.0~55W

Precious metal-brush motors

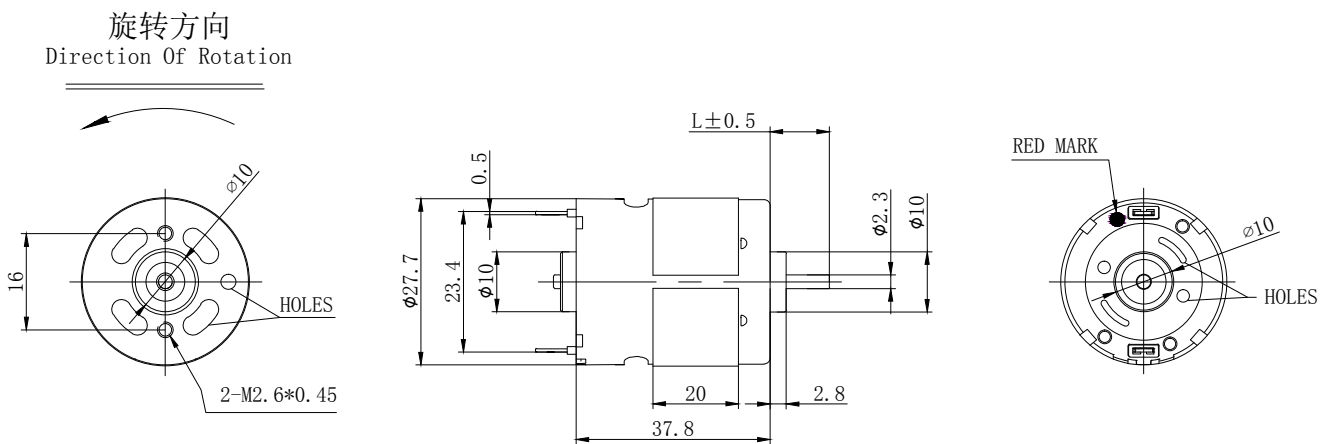
代表的用途: 家用电器、泵
自动车电装机器

Typical Applications/Household Appliances
Automotive Products



MODEL	VOLTAGE		NO LOAD		AT MAXIMUM EFFICIENCY				STALL	
	OPERATING RANGE	NOMINAL	SPEED	CURRENT	SPEED	CURRENT	TORQUE	OUTPUT	TORQUE	CURRENT
			r/min	A	r/min	A	g. cm	W	g. cm	A
RS-380SM-4045	3-9V	6V	12700	0.48	10900	2.94	110	12.3	780	18.0
RS-380SM-3270	4.5-15V	12V	15200	0.34	13600	1.90	100	13.9	950	14.0
RS-385SM-2465	6-24V	12V	9800	0.2	8100	0.99	95	7.89	570	5.00

UNIT: MILLIMETERS



WEIGHT: 80g (APPROX)

RS-380SM-4045

6.0V

RS-385SM-2465

12V

