



RF/RK-350CH/SH

OUTPUT: APPROX 0.1~4.5W

Precious metal/Carbon-brush motors

代表的用途: 打卡机、打印机、复印机
光盘播放机、血压计、

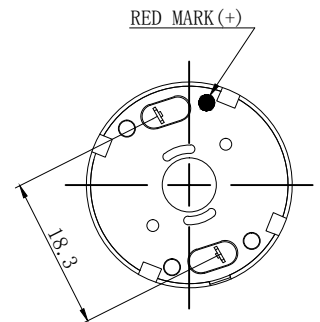
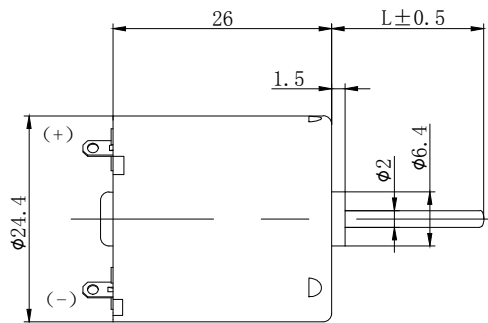
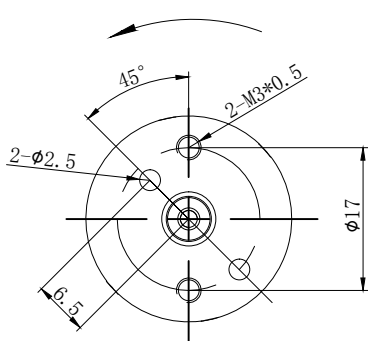
Punch machine Printer Copier
CD player Sphygmomanometer



MODEL	VOLTAGE		NO LOAD		AT MAXIMUM EFFICIENCY				STALL	
	OPERATING RANGE	NOMINAL	SPEED r/min	CURRENT A	SPEED r/min	CURRENT A	TORQUE mN.m	OUTPUT W	TORQUE g.cm	CURRENT A
RK-350CA-18250	3-6V	6.0V	5486	0.053	4529	0.251	2.01	0.57	117	1.20
RF-350CA-20190	3-6V	6.0V	7332	0.052	6264	0.305	2.01	1.26	141	1.79

UNIT: MILLIMETERS

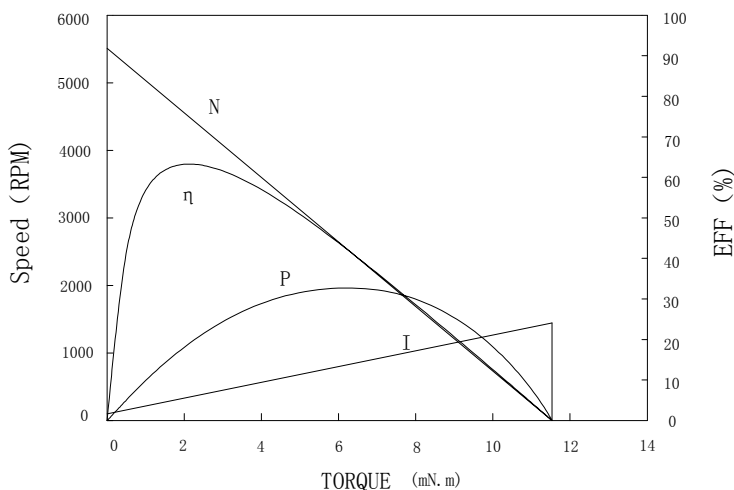
旋转方向
Direction Of Rotation



WEIGHT: 40g (APPROX)

RK-350CA-18250

6.0V



At No Load

Speed: 5486 RPM
Current: 0.053 AMPS

At stall (Extrapolated)

Torque: 11.53 mN.m
Current: 1.188 AMPS

At maximum efficiency

Efficiency: 62.2 %
Torque: 2.010 mN.m
Speed: 4529 RPM
Current: 0.251 AMPS
Output: 0.94 Watts

At maximum Power output

Output: 1.626 Watts
Torque: 5.762 mN.m
Speed: 2999 RPM
Current: 0.57 AMPS

Characteristics

Torque constant K_t : 10.156 mN.m/APM
E. M. F. constant E_c : 10.156 mV/rad/sec
Dynamic resistance: 5.0512 Ohms
Motor regulation M_r : 476.02 RPM/mN.m