



RK-3030SA

OUTPUT: APPROX 0.5~25W

Carbon-brush motors

代表的用途: 泵类、智能卫浴

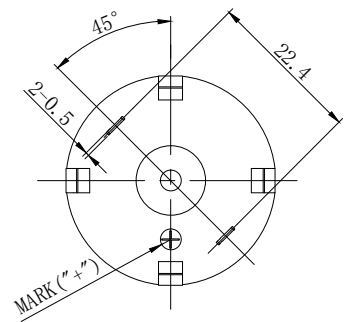
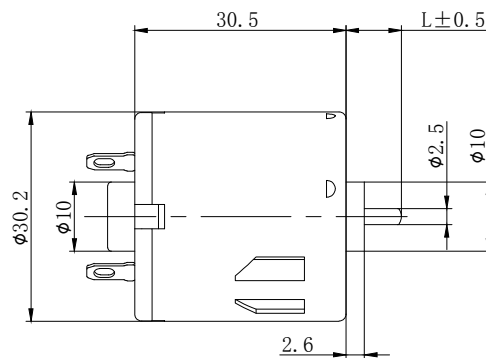
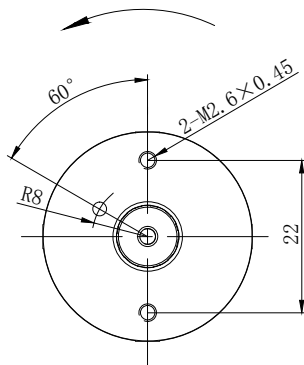
Pump Intelligent bathroom



MODEL	VOLTAGE		NO LOAD		AT MAXIMUM EFFICIENCY				STALL	
	OPERATING RANGE	NOMINAL	SPEED	CURRENT	SPEED	CURRENT	TORQUE	OUTPUT	TORQUE	CURRENT
			r/min	A	r/min	A	mN.m	W	g.cm	A
RK-3030SA-16340	6-12V	12.0V	4208	0.042	3522	0.215	5.08	1.68	318	1.1
RK-3030SA-20235	6-12V	12.0V	6239	0.082	5282	0.453	6.86	3.64	456	2.5

UNIT: MILLIMETERS

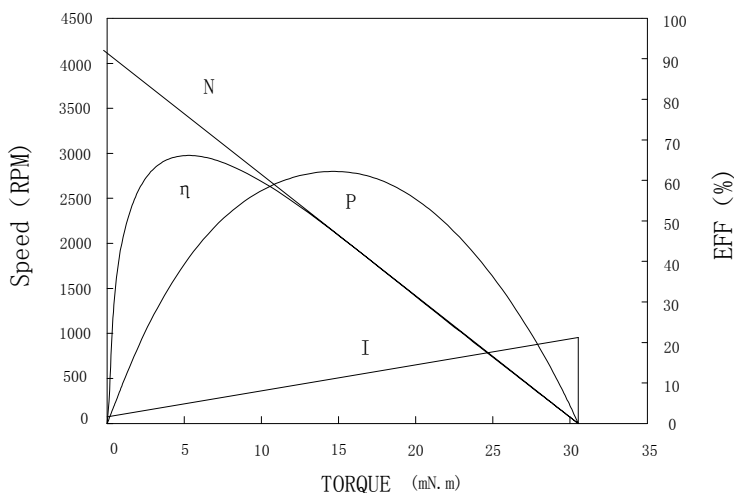
旋转方向
Direction Of Rotation



WEIGHT: 66g (APPROX)

RK-3030SA-16340

12.0V



At No Load

Speed: 4208 RPM
Current: 0.042 AMPS

At stall (Extrapolated)

Torque: 31.16 mN.m
Current: 1.106 AMPS

At maximum efficiency

Efficiency: 64.8 %
Torque: 5.082 mN.m
Speed: 3522 RPM
Current: 0.215 AMPS
Output: 1.68 Watts

At maximum Power output

Output: 3.069 Watts
Torque: 15.578 mN.m
Speed: 2270 RPM
Current: 0.53 AMPS

Characteristics

Torque constant K_t : 29.294 mN.m/APM
E. M. F. constant E_c : 29.294 mV/rad/sec
Dynamic resistance: 10.8542 Ohms
Motor regulation M_r : 135.06 RPM/mN.m