



RF-300CA/CH

OUTPUT: APPROX 0.05~0.5W

Precious metal-brush motors

代表的用途: 随身听、DVD、麻将机、
回单柜、电动阀门、

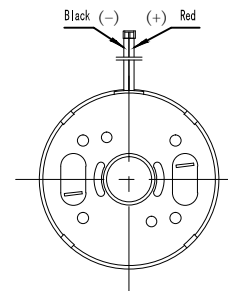
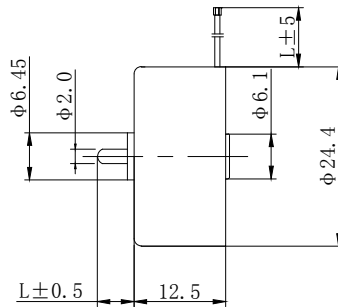
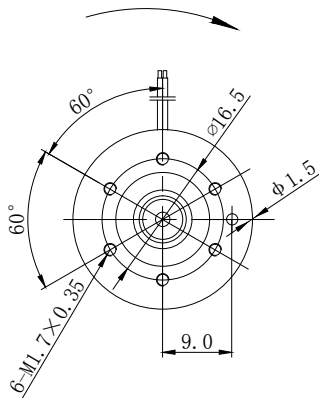
Walkman DVD Mahjong machine
Receipt cabinet Electric valve



MODEL	VOLTAGE		NO LOAD		AT MAXIMUM EFFICIENCY				STALL	
	OPERATING RANGE	NOMINAL	SPEED	CURRENT	SPEED	CURRENT	TORQUE	OUTPUT	TORQUE	CURRENT
			r/min	A	r/min	A	mN.m	W	g.cm	A
RF-300CA-11400	1-4V	3.0V	3900	0.017	3065	0.06	0.37	0.09	16.8	0.209
RF-300CA-11440	1-4V	3.0V	3600	0.015	2788	0.053	0.35	0.08	16.2	0.186
RF-300CA-14270	1-3V	1.9V	3800	0.031	3000	0.106	0.35	0.1	15.9	0.362

UNIT: MILLIMETERS

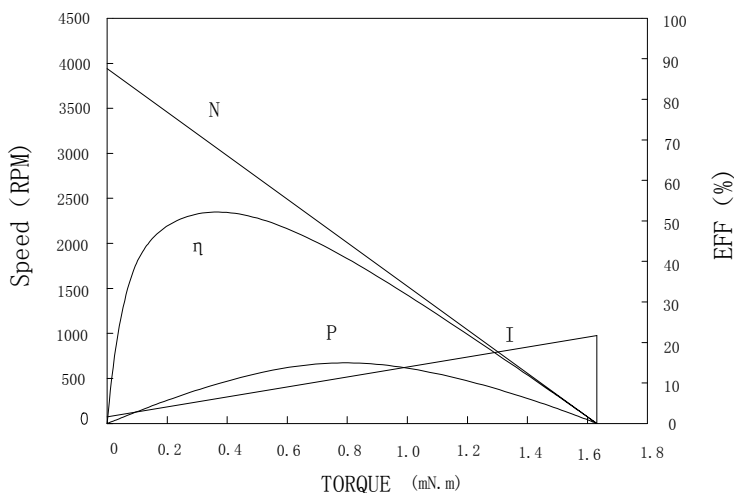
旋转方向
Direction Of Rotation



WEIGHT: 21g (APPROX)

RF-300CA-11400

3.0V



At No Load

Speed: 3940 RPM
Current: 0.017 AMPS

At stall (Extrapolated)

Torque: 1.65 mN.m
Current: 0.209 AMPS

At maximum efficiency

Efficiency: 51.1 %
Torque: 0.366 mN.m
Speed: 3065 RPM
Current: 0.060 AMPS
Output: 0.09 Watts

At maximum Power output

Output: 0.132 Watts
Torque: 0.824 mN.m
Speed: 2320 RPM
Current: 0.10 AMPS

Characteristics

Torque constant K_t : 8.597 mN.m/APM
E. M. F. constant E_c : 8.597 mV/rad/sec
Dynamic resistance: 14.3801 Ohms
Motor regulation M_r : 2391.82 RPM/mN.m