



RF-370CB

OUTPUT: APPROX 0.1~4.5W

Precious metal-brush motors

代表的用途: 汽车空调风门执行器

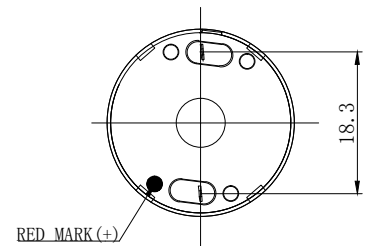
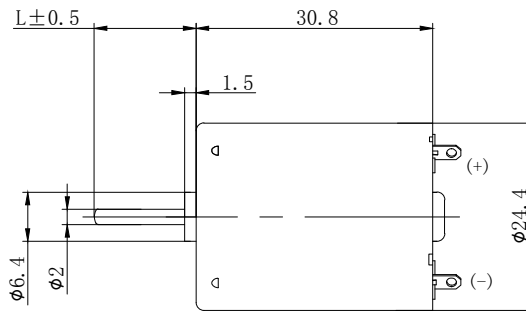
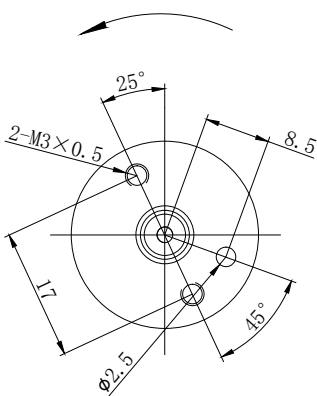
Automobile air conditioner damper actuator



MODEL	VOLTAGE		NO LOAD		AT MAXIMUM EFFICIENCY				STALL	
	OPERATING RANGE	NOMINAL	SPEED	CURRENT	SPEED	CURRENT	TORQUE	OUTPUT	TORQUE	CURRENT
			r/min	A	r/min	A	mN.m	W	g.cm	A
RF-370CB-12560	6-12V	12.0V	3600	0.012	3030	0.066	1.96	0.60	130	0.37
RF-370CB-11670	6-12V	12.0V	3000	0.01	2565	0.052	1.56	0.41	103	0.28
RF-370CB-081050	18-26V	24.0V	4000	0.007	3412	0.037	1.78	0.58	114	0.20

UNIT: MILLIMETERS

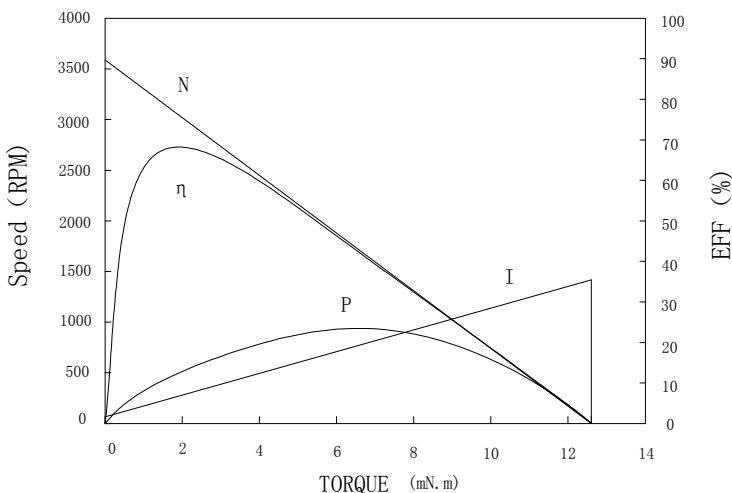
旋转方向
Direction Of Rotation



WEIGHT: 48g (APPROX)

RF-370CB-12560

12V



At No Load

Speed: 3581 RPM
Current: 0.012 AMPS

At stall (Extrapolated)

Torque: 12.76 mN.m
Current: 0.364 AMPS

At maximum efficiency

Efficiency: 67.0 %
Torque: 1.962 mN.m
Speed: 3030 RPM
Current: 0.066 AMPS
Output: 0.53 Watts

At maximum Power output

Output: 1.020 Watts
Torque: 6.381 mN.m
Speed: 1913 RPM
Current: 0.18 AMPS

Characteristics

Torque constant K_t : 36.297 mN.m/APM
E. M. F. constant E_c : 36.297 mV/rad/sec
Dynamic resistance: 33.0043 Ohms
Motor regulation M_r : 280.61 RPM/mN.m