



RF/RK-510TB

OUTPUT: APPROX 0.1~4.5W

Precious metal/Carbon-brush motors

代表的用途: 飘香机

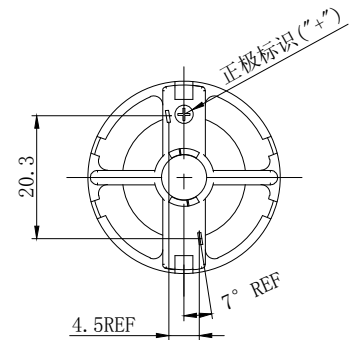
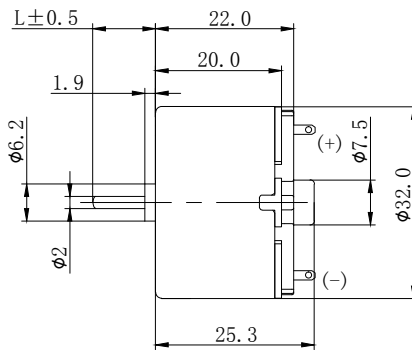
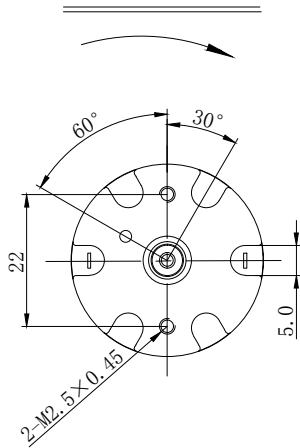
Fragrance machine



MODEL	VOLTAGE		NO LOAD		AT MAXIMUM EFFICIENCY				STALL	
	OPERATING RANGE	NOMINAL	SPEED	CURRENT	SPEED	CURRENT	TORQUE	OUTPUT	TORQUE	CURRENT
			r/min	A	r/min	A	mN.m	W	g.cm	A
RF-510TB-18280	2-4V	3.0V	2100	0.025	1794	0.115	1.34	0.21	76.5	0.53

UNIT: MILLIMETERS

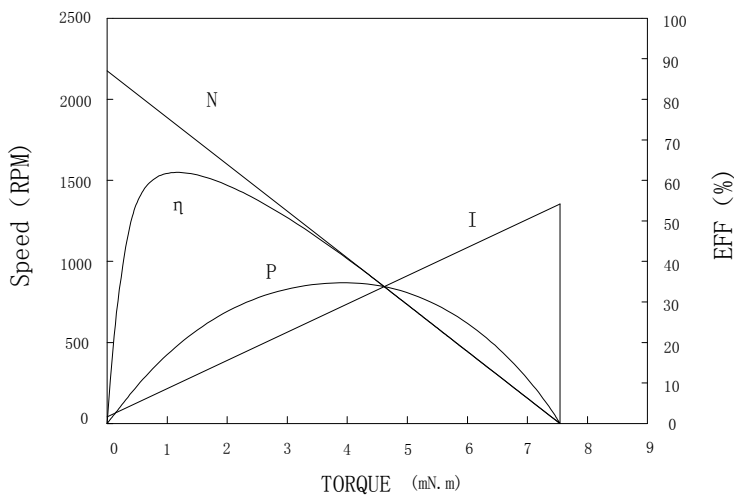
旋转方向
Direction Of Rotation



WEIGHT: 50g (APPROX)

RF-510TB-18280

3.0V



At No Load

Speed: 2184 RPM
Current: 0.025 AMPS

At stall (Extrapolated)

Torque: 7.30 mN.m
Current: 0.530 AMPS

At maximum efficiency

Efficiency: 61.3 %
Torque: 1.338 mN.m
Speed: 1794 RPM
Current: 0.115 AMPS
Output: 0.21 Watts

At maximum Power output

Output: 0.361 Watts
Torque: 3.751 mN.m
Speed: 1200 RPM
Current: 0.25 AMPS

Characteristics

Torque constant K_t : 14.849 mN.m/APM
E. M. F. constant E_c : 14.849 mV/rad/sec
Dynamic resistance: 5.6585 Ohms
Motor regulation M_r : 291.15 RPM/mN.m