



RC-260SA

OUTPUT: APPROX 0.5~25W

Precious metal-brush motors

代表的用途: 剪发器、按摩器、
各种电动玩具

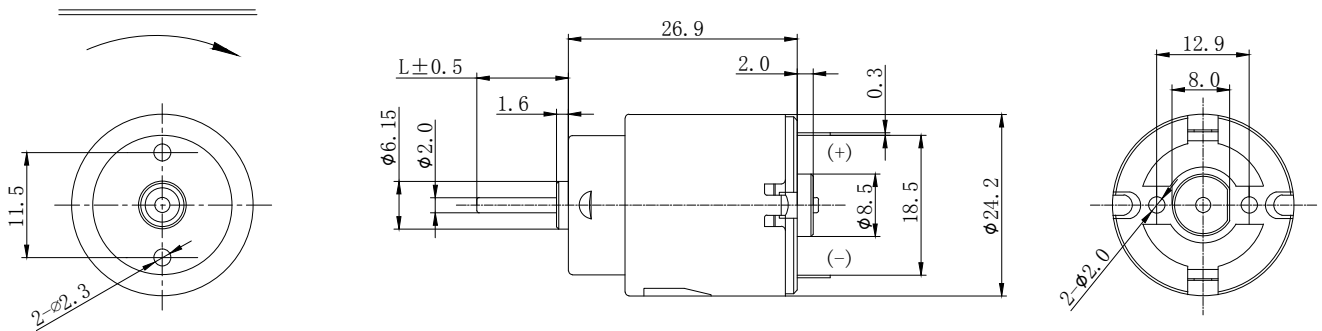
Hair clippers Massager
All kinds of electric locks



MODEL	VOLTAGE		NO LOAD		AT MAXIMUM EFFICIENCY				STALL	
	OPERATING RANGE	NOMINAL	SPEED r/min	CURRENT A	SPEED r/min	CURRENT A	TORQUE g. cm	OUTPUT W	TORQUE g. cm	CURRENT A
RC-260SA-2670	1.5-3.0V	3.0V	12300	0.20	10100	0.97	15	1.55	90	4.73
RC-260SA-18130	1.5-4.5V	3.0V	6900	0.09	5000	0.37	9.5	0.49	48	1.40

UNIT: MILLIMETERS

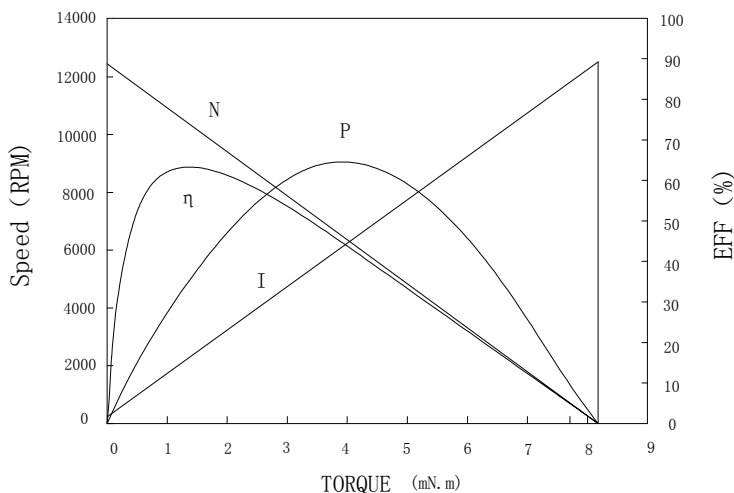
旋转方向
Direction Of Rotation



WEIGHT: 28g (APPROX)

RC-260SA-2670

3.0V



At No Load

Speed: 12300 RPM
Current: 0.2 AMPS

At stall (Extrapolated)

Torque: 8.22 mN.m
Current: 4.505 AMPS

At maximum efficiency

Efficiency: 62.3 %
Torque: 1.430 mN.m
Speed: 10159 RPM
Current: 0.949 AMPS
Output: 1.77 Watts

At maximum Power output

Output: 3.085 Watts
Torque: 4.109 mN.m
Speed: 6721 RPM
Current: 2.15 AMPS

Characteristics

Torque constant K_t : 1.909 mN.m/APM
E. M. F. constant E_c : 1.909 mV/rad/sec
Dynamic resistance: 0.6659 Ohms
Motor regulation M_r : 1496.59 RPM/mN.m